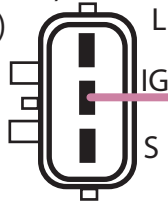


Nippon Denso Toyota Oval Plug  
'93-'97 Land Cruiser

Regulator F540  
Plug 46-2809  
Plug W145-35  
Seal 41-82303  
Terminal Block 46-82201  
Brush Assembly 39-8202  
Rear Cover 46-82451

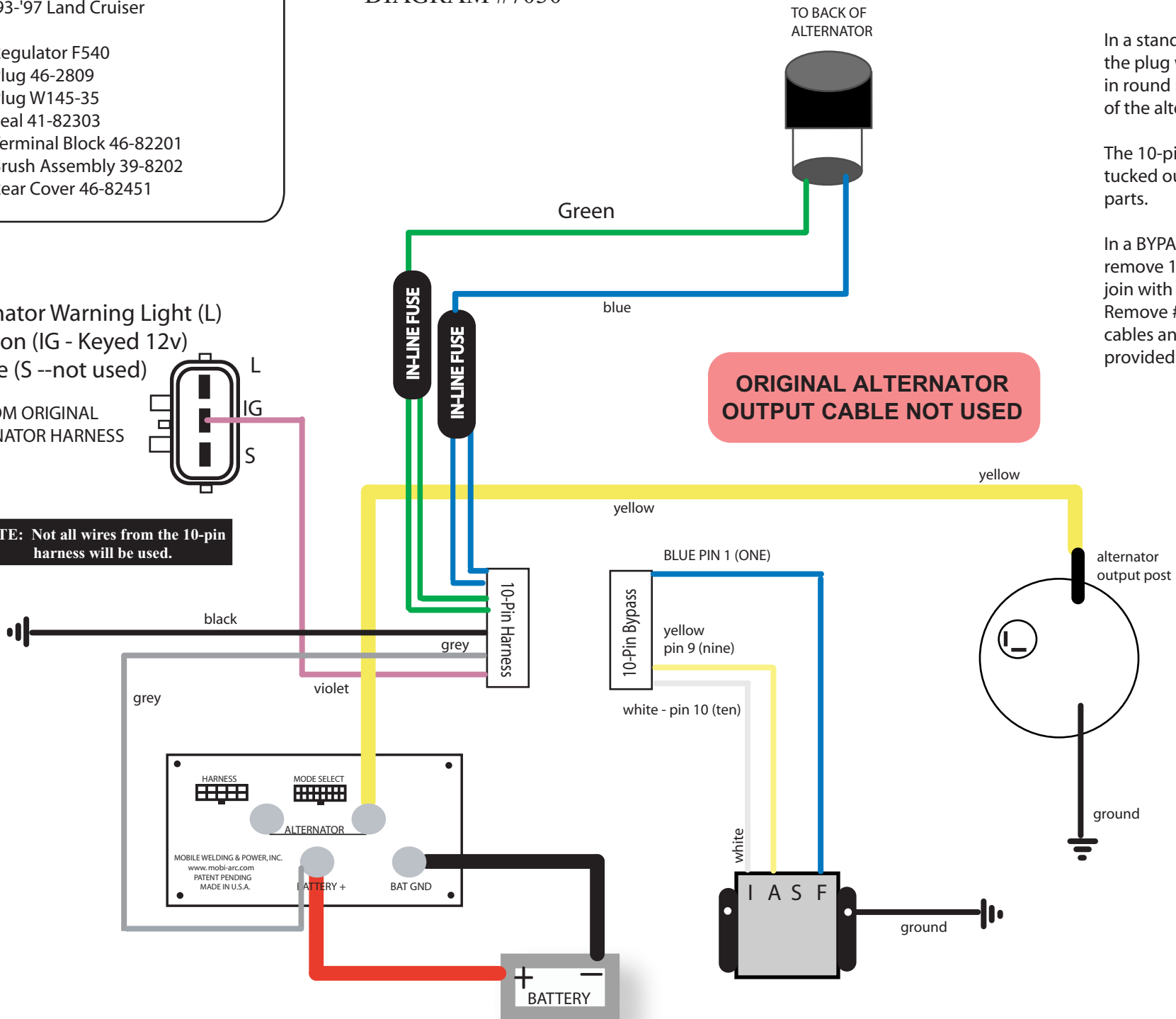
# DIAGRAM #7030

Alternator Warning Light (L)  
Ignition (IG - Keyed 12v)  
Sense (S --not used)



FROM ORIGINAL  
ALTERNATOR HARNESS

**NOTE: Not all wires from the 10-pin harness will be used.**



In a standard configuration, the plug will be inserted in round receptacle on the back of the alternator.

The 10-pin BYPASS plug will get tucked out of the way of moving parts.

In a BYPASS configuration, remove 10-pin harness plug and join with 10-pin BYPASS plug. Remove #4 red & yellow cables and join together on bolt provided in BYPASS Kit.